



OUTBOARD MOTORS



 Selva Marine



OUTBOARD MOTORS

45 Powerful companions of navigation

Selva Marine engines come with a five-year limited warranty. Certain conditions and exclusions apply including professional and commercial use.



45 models | 2 Range | Power from 2.5Hp to 2x300Hp | 5 years warranty

Come closer look...

There are a number of boating solutions waiting for you. Whether you prefer the elegance and relaxation of a lake, speed with open sea adventures or the thrill of powering from one island to another, Selva will accompany you providing power, control and great service.

The wonderful world of powerboating is now affordable and ready. Reach inlets with your friends, enjoy a beautiful sunset with your partner, or amaze everyone with landscapes that will remain in their hearts together with a lifetime passion for the sea. This is the Selva world, a constant surprise to enjoy. Join it now.



7 MODELS FROM 60HP TO 2X200HP IN 11 VERSIONS

Burning acceleration and low consumption are the main characteristics of the Selva 4-stroke range for leisure, professional or commercial use. So they are specially developed for the most demanding people. The advanced electronic system controls all the engine's functions in the best way and gives breath-taking performance and fuel economy.



p. 04



38 MODELS FROM 2,5HP TO 2X300HP IN 109 VERSIONS

This Selva Marine range has a strong and distinctive personality that operates in total respect of nature. The use of sophisticated technologies, their compactness, elegant and innovative design make these outboard motors a range that does not go unnoticed in the pleasure boating sector.



p. 08



QuattroT
XSR



Dorado E.F.I.

60XSR



Murena E.F.I.

70XSR



Spearfish E.F.I.

100XSR



TECHNICAL CHARACTERISTICS



Swordfish E.F.I. **115XSR**

Model	DORADO	MURENA	SPEARFISH	SWORDFISH
Power (hp)	60 XSR EFI	70 XSR EFI	100 XSR EFI	115 XSR EFI
Power (kW)	44.1	51.5	73.6	84.6
Max. R.P.M.	5000/6000	5300/6300	5000/6000	5300/6300
Motor type	4 Stroke SOHC	4 Stroke SOHC - 16V		4 Stroke DOHC - 16V
Swept volume c.c.		996		1832
Bore x Stroke (mm)		65x75		81x88.9
N° Cylinders		4 in-line		
Induction		Electronic Injection		
Choke		Automatic		
Fuel		Petrol (for specifications see the user manual)		
Fuel tank (L)		Separate 23		Not provided
Lubrication		Forced (oil sump)		
Ignition		T.C.I. / Computer		
Ignition timing		Electronic		
Starting		Electric		
Alternator		Standard 12V/200W with regulator		Standard 12V/420W with regulator
Cooling		Water cooled with pump-forced circulation		
Exhaust		Underwater through propeller		
Steering system		Remote with remote control box		
Type of remote control box provided (for the version with remote control box)		Single remote control box with safety switch		
Trim adjustment		Power Trim/Tilt		
Gears		Mechanical F-N-R		
Transmission Ratio	13/24	12/28		13/28
Available shaft versions	L.		L.-XL.	
Standard propeller type		3-bladed with built-in spring drive		
Weight basic version (kg)	111	119	162	175

*Some models may not be available in all countries or they may have different, non-standard horsepower depending on the different national legislative requirements. (For further details see the current price list.)
The data contained in this table are to be considered as approximate and Selva Marine reserves the right to modify the technical characteristics, materials, construction, weights etc. without any forewarning or obligations.*



Killer Whale E.F.I.
150XSR

NEW



Sei Whale E.F.I.
200XSR



TECHNICAL CHARACTERISTICS



NEW



Sei Whale

2x200XSR

COUNTER ROTATING PAIR

Model	KILLER WHALE	SEI WHALE	COUNTER ROTATING PAIR SEI WHALE
Power (hp)	150 XSR EFI	200 XSR EFI	2 x 200 XSR EFI
Power (kW)	110.3	147.1	2 x 147.1
Max. R.P.M.	5000/6000		
Motor type	4 Stroke DOHC - 16V	4 Stroke DOHC - 16V at variable timing	4 Stroke DOHC - 16V at variable timing
Swept volume c.c.	2670	2785	2 x 2785
Bore x Stroke (mm)	94x96.2	96 x 96.2	2 x 96 x 96.2
N° Cylinders	4 on line		2 x 4 on line
Induction	Electronic Injection		
Choke	Automatic		
Fuel	Petrol (for specifications see the user manual)		
Fuel tank (L)	Not provided		
Lubrication	Forced (oil sump)		
Ignition	T.C.I./Computer		
Ignition timing	Electronic		
Starting	Electric		
Alternator	Standard 12V / 420W with rectifier	Standard 12V / 500W with rectifier	Standard 2 x 12V / 500W with rectifier
Cooling	Water cooled with pump-forced circulation		
Exhaust	Underwater through propeller		
Steering system	Remote with remote control box	Remote control box with electronic control Drive By Wire	
Type of remote control box provided (for the version with remote control box)	Single lever with safety switch	Remote control box with electronic control Drive By Wire	Twin lever with electronic binnacle Drive by Wire with safety switch
Trim adjustment	Power Trim/Tilt		
Gears	Mechanical F-N-R	Mechanical F-N-R electronic, operating Drive by Wire	
Transmission Ratio	14/28	14/26	
Available shaft versions	L. - XL.	XL.	
Standard propeller type	3-bladed with built-in spring drive		
Weight basic version (kg)	216	227	2 x 227

Some models may not be available in all countries, or they may have different, non-standard horse powers. Depending on the different national legislative requirements. (For further details see the current price list).

The data contained in this table are to be considered as approximate and **Selva Marine** reserves the right to modify the technical characteristics, materials, construction, weights, etc. without any forewarning or obligations.



QuattroT



Guppy

2.5



Sea Bass

4/5



Sea Bass

6



Oyster

6

Model	GUPPY	SEA BASS			OYSTER
Power (hp)	2.5	4	5	6	6
Power (kW)	1.84	2.9	3.7	4.4	4.4
Max. R.P.M.	4500 / 5500	5000 / 5500			
Motor type	4 Stroke OHV	4 Stroke SOHC			
Swept volume c.c.	87	118			135
Bore x Stroke (mm)	54 x 38	56 x 48			57 x 53
N° Cylinders		1			
Induction		1 carburettor			
Choke		Manual			
Fuel		Petrol (for specifications see the user manual)			
Fuel tank (L)	Integrated 0.9	Separate 1.2 or Integrated 1.6		Separate 1.8 or Integrated 1.8	
Lubrication	Forced	Automatic oil injection into fuel			Forced with mechanical lobe-pump
Ignition		C.D.I. Digital			
Ignition timing		Electronic			
Starting		Manual			
Alternator	Not available	Optional 12V/70W with rectifier			
Cooling		Water cooled with pump-forced circulation			
Exhaust	Underwater	Underwater through propeller			
Steering system		Tiller bar steering with twist grip throttle control and steering friction adjustment			
Trim adjustment	Manual (4 pos)	Manual (4 pos) with trim for navigation in shallow waters			
Gears	Mechanical A-F + 360° shaft rotation	Mechanical F-N-R + 360° shaft rotation			
Transmission ratio	13 / 28	13 / 30			
Available shaft versions	C.	C. - L.			
Standard propeller type	3-bladed	3-bladed with built-in spring drive			
Weight basic version (Kg)	13,5	23		27	

Some models may not be available in all countries, or they may have different, non-standard horse powers. Depending on the different national legislative requirements. (For further details consult the current price list).

The data contained in this table are to be considered as approximate and Selva Marine reserves the right to modify the technical characteristics, materials, construction, weights, etc. without any forewarning or obligations.



Oyster B.F.

6



Oyster B.F. Sail

6



Black Bass

8



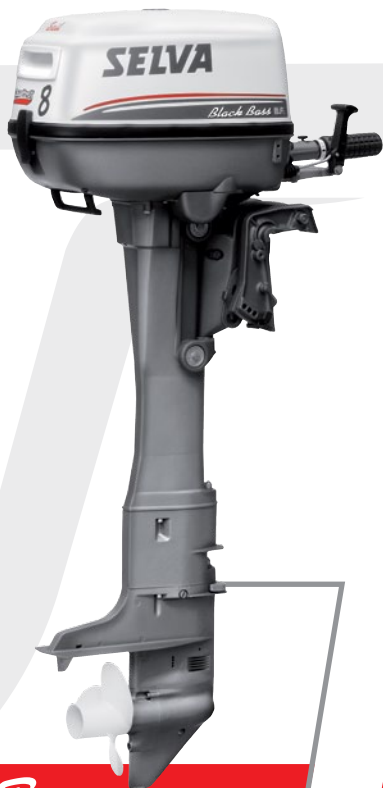
Black Bass B.F.

8

Model	OYSTER BIG FOOT	OYSTER BIG FOOT SAIL	BLACK BASS	BLACK BASS BIG FOOT
Power (hp)	6	6	8	8
Power (kW)	4.4	4.4	5.9	5.9
Max. R.P.M.	5500 / 6000			
Motor type	4 Stroke SOHC			
Swept volume c.c.	135		165	
Bore x Stroke (mm)	57 x 53		63 x 53	
N° Cylinders	1			
Induction	1 carburettor			
Choke	Manual or Electrical		Manual	Manual or Electrical
Fuel	Petrol (for specifications see the user manual)			
Fuel tank (L)	Separate 12		Separate 12 or built-in 1.8	Separate 12
Lubrication	Forced with mechanical lobe-pump			
Ignition	C.D.I. Digital			
Ignition timing	Electronic			
Starting	Manual or Electric also with integrated ISB battery (not available in versions with built-in tank)			
Alternator	Optional 12V/70W with rectifier on Manual start version Standard 12V/70W with rectifier on Electric start version			
Cooling	Water cooled with pump-forced circulation			
Exhaust	Underwater through propeller			
Steering system	Tiller bar steering with twist grip throttle control and steering friction adjustment or remote with remote control box		Tiller bar steering with twist grip throttle control and steering friction adjustment	Tiller bar steering with twist grip throttle control and steering friction adjustment or remote with remote control box
Type of remote control box provided (for the version with remote control box)	Single lever with safety switch		Not applicable	Single lever with safety switch
Trim adjustment	Manual (4 pos) with trim for navigation in shallow waters			
Gears	Mechanical F-N-R		Mechanical F-N-R + 360° shaft rotation	Mechanical F-N-R
Transmission Ratio	13 / 27		13 / 30	13 / 27
Available shaft versions	C. - L.	XL.	C. - L.	
Standard propeller type	3-bladed with built-in spring drive			
Weight basic version (kg)	30.5	32	27	30.5

Some models may not be available in all countries, or they may have different, non-standard horse powers. Depending on the different national legislative requirements. (For further details consult the current price list).

The data contained in this table are to be considered as approximate and **Selva Marine** reserves the right to modify the technical characteristics, materials, construction, weights, etc. without any forewarning or obligations.



Black Bass B.F. Sail 8



Ray 8



Piranha 9.9



Piranha Sail

9.9

Model	BLACK BASS BIG FOOT SAIL	RAY	PIRANHA	PIRANHA SAIL
Power (Hp)	8	8	9.9	9.9
Power (kW)	5.9	5.9	7.3	7.3
Max. R.P.M.	5500 / 6000	5000 / 6000	5500 / 6000	
Motor type	4 Stroke SOHC			
Swept volume c.c.	165	212	181	
Bore x Stroke (mm)	63 x 53	56 x 43	66 x 53	
N° Cylinders	1	2 in-line	1	
Induction	1 carburettor			
Choke	Manual or Electrical	Manual	Manual or Electrical	
Fuel	Petrol (for specifications see the user manual)			
Fuel tank (L)	Separate 12			
Lubrication	Forced with mechanical lobe-pump	Forced (oil sump)	Forced with mechanical lobe-pump	
Ignition	C.D.I. digitale	C.D.I. Micro-computer	C.D.I. digitale	
Ignition timing	Electronic			
Starting	Manual or Electrical also with integrated ISB battery Optional 12V/70W with rectifier on Manual start version Standard 12V/70W with rectifier on Electric start version	Manual	Manual or Electrical also with integrated ISB battery	
Alternator		Standard 12V/70W (regulator optional)	Optional 12V / 70W with regulator (A. M.) Standard 12V / 70W with regulator (A.E.)	
Cooling	Water cooled with pump-forced circulation			
Exhaust	Underwater through propeller			
Steering system	Tiller bar steering with twist grip throttle control and steering friction adjustment or remote with remote control box	Tiller bar steering with twist grip throttle control and steering friction adjustment	Tiller bar steering with twist grip throttle control and steering friction adjustment	
Type of remote control box provided (for the version with remote control box)	Single lever with safety switch	Accessory, Single lever	Single lever with safety switch	
Trim adjustment	Manual (4 pos) with trim for navigation in shallow waters			
Gears	Mechanical F-N-R			
Transmission Ratio	13 / 27			
Available shaft versions	XL.	C.-L.		XL.
Standard propeller type	3-bladed with built-in spring drive			
Weight basic version (kg)	32	39,9	30,5	32

Some models may not be available in all countries, or they may have different, non-standard horse powers. Depending on the different national legislative requirements. (For further details consult the current price list).

The data contained in this table are to be considered as approximate and Selva Marine reserves the right to modify the technical characteristics, materials, construction, weights, etc. without any forewarning or obligations.



Pike

9.9



Wahoo

15



Wahoo

20



Kingfish

25



Amberjack E.F.I.
25

Model	PIKE	WAHOO	KINGFISH	AMBERJACK
Power (hp)	9.9	15	20	25 EFI
Power (kW)	7.3	11	14.7	18.4
Max. R.P.M.	5000 / 6000			
Motor type	4 Stroke SOHC			
Swept volume c.c.	212	362	498	432
Bore x Stroke (mm)	56 x 43	63 x 58.1	65 x 75	65 x 65.1
N° Cylinders	2 in-line			
Induction	1 carburettor			Electronic Injection
Choke	Manual	Automatic		
Fuel	Petrol (for specifications see the user manual)			
Fuel tank (L)	Separate 12	Separate 23		
Lubrication	Forced (oil sump)			
Ignition	C.D.I. Micro-computer			
Ignition timing	Electronic			
Starting	Manual or Electric			
Alternator	Standard 12V/70W (regulator optional) on Manual start version - Standard 12V/70W with regulator on Electric start version	Standard 12V/120W (regulator optional) on Manual start version Standard 12V/120W with regulator on Electric start version	Standard 12V/160W (regulator optional) on Manual start version Standard 12V/160W with regulator on Electric start version	Standard 12V/190W (regulator optional) on Manual start version Standard 12V/190W with regulator on Electric start version
Cooling	Water cooled with pump-forced circulation			
Exhaust	Underwater through propeller			
Steering system	Tiller bar steering with twist grip throttle control and steering friction adjustment or remote with remote control box according to version			
Type of remote control box provided (for the version with remote control box)	Single lever with safety switch			
Trim adjustment	Manual (4 pos) with trim for navigation in shallow waters	Manual (4 pos) with trim for navigation in shallow waters or Power Tilt depending on the version	Manual (4 pos) with trim for navigation in shallow waters or Power Tilt depending on the version	Manual (4 pos) with trim for navigation in shallow waters or Power Tilt depending on the version
Gears	Mechanical F-N-R			
Transmission Ratio	13 / 27			
Available shaft versions	C. - L.			
Standard propeller type	3-bladed with built-in spring drive			
Weight basic version (kg)	39.9	51.7	77	56

Some models may not be available in all countries, or they may have different, non-standard horse powers. Depending on the different national legislative requirements. (For further details consult the current price list).
The data contained in this table are to be considered as approximate and **Selva Marine** reserves the right to modify the technical characteristics, materials, construction, weights, etc. without any forewarning or obligations.



Aruana E.F.I.

40



Dorado E.F.I.

50



Dorado E.F.I.

60



Murena E.F.I.

70

Model	ARUANA	DORADO		MURENA
Power (hp)	40 EFI	50 EFI	60 EFI	70 EFI
Power (kW)	29.4	36.8	44,1	51.5
Max. R.P.M.	5000 - 6000			5300 - 6300
Motor type	4 Stroke SOHC			4 Stroke SOHC - 16V
Swept volume c.c.	747	996		
Bore x Stroke (mm)	65 x 75			
N° Cylinders	3 in-line	4 in-line		
Induction	Electronic injection			
Choke	Automatic			
Fuel	Petrol (for specifications see the user manual)			
Fuel tank (L)	Separate 23			
Lubrication	Forced (oil sump)			
Ignition	T.C.I./Computer			
Ignition timing	Electronic			
Starting	Electric			
Alternator	Standard 12V/190W with regulator	Standard 12V/200W with regulator		
Cooling	Water cooled with pump-forced circulation			
Exhaust	Underwater through propeller			
Steering system	Tiller bar steering with twist grip throttle control and steering friction adjustment or remote with remote control box, depending on the version	Remote with remote control box		
Type of remote control box provided (for the version with remote control box)	Single remote control box with safety switch			
Trim adjustment	Single remote control box with safety switch	Power Trim/Tilt		
Gears	Mechanical F-N-R			
Transmission Ratio	13 / 26	13 / 24	12 / 28	
Available shaft versions	L.		L.-XL.	
Standard propeller type	3-bladed with built-in spring drive			
Weight basic version (kg)	99	111	119	

Some models may not be available in all countries, or they may have different, non-standard horse powers. Depending on the different national legislative requirements. (For further details see the current price list).

The data contained in this table are to be considered as approximate and Selva Marine reserves the right to modify the technical characteristics, materials, construction, weights, etc. without any forewarning or obligations.



Spearfish E.F.I. 80XS/100



Swordfish E.F.I. 115



Killer Whale E.F.I. 150



Model	SPEARFISH		SWORDFISH	KILLER WHALE	SEI WHALE
	80 XS EFI	100 EFI	115 EFI	150 EFI	200 EFI
Power (hp)			115 EFI	150 EFI	200 EFI
Power (kW)	58.8	73.6	84.6	110.3	147.1
Max. R.P.M.	5000 / 6000		5300 / 6300	5000 / 6000	
Motor type	4 Stroke SOHC - 16V		4 Stroke DOHC - 16V		4 Stroke DOHC - 16V at variable timing
Swept volume c.c.	1832			2670	2785
Bore x Stroke (mm)	81 x 88.9			94x96.2	96 x 96.2
N° Cylinders	4 in-line				
Induction	Electronic Injection				
Choke	Automatic				
Fuel	Petrol (for specifications see the user manual)				
Fuel tank (L)	Not provided				
Lubrication	Forced (oil sump)				
Ignition	T.C.I./Computer				
Ignition timing	Electronic				
Starting	Electric				
Alternator	Standard 12V/420W with regulator				Standard 12V/500W with regulator
Cooling	Water cooled with pump-forced circulation				
Exhaust	Underwater through propeller				
Steering system	Remote with remote control box				Remote control box with electronic control Drive By Wire
Type of remote control box provided (for the version with remote control box)	Single remote control box with safety switch		Single binnacle lever with safety switch	Single lever with electronic binnacle Drive by Wire with safety switch	
Trim adjustment	Power Trim/Tilt				
Gears	Mechanical F-N-R				Mechanical F-N-R electronic, operating Drive by Wire
Transmission Ratio	13/28		14/28	14/26	
Available shaft versions	L - XL				XL
Standard propeller type	3-bladed with built-in spring drive				
Weight basic version (kg)	162		175	216	227

Some models may not be available in all countries, or they may have different, non-standard horse powers. Depending on the different national legislative requirements. (For further details see the current price list).

The data contained in this table are to be considered as approximate and Selva Marine reserves the right to modify the technical characteristics, materials, construction, weights, etc. without any forewarning or obligations.

NEW



Beaked Whale E.F.I.
225

NEW



Right Whale E.F.I.
250



White Whale E.F.I. **300**

Model	BEAKED WHALE	RIGHT WHALE	WHITE WHALE
Power (hp)	225 EFI	250 EFI	300 EFI
Power (kW)	165.5	183.9	220.7
Max. R.P.M.	5000/6000		
Motor type	4 stroke DOHC - 24V with VTC direct acting		
Swept volume c.c.	4169		
Bore x Stroke (mm)	96 x 96		
N° Cylinders	6 a V 60°		
Induction	Electronic Injection		
Choke	Automatic		
Fuel	Petrol (for specifications see the user manual)		
Fuel tank (L)	Not provided		
Lubrication	Forced (oil sump)		
Ignition	T.C.I. / Computer		
Ignition timing	Electronic		
Starting	Electric		
Alternator	Standard 12V / 840W with regulator		
Cooling	Water cooled with pump-forced circulation		
Exhaust	Underwater through propeller		
Steering system	a distanza con comando elettronico Drive By Wire		
Type of remote control box provided (for the version with remote control box)	Single lever with electronic binnacle Drive by Wire with safety switch		
Trim adjustment	Power Trim/Tilt		
Gears	Mechanical F-N-R , electronic, operating Drive by Wire		
Transmission Ratio	21/12		
Available shaft versions	XL.	XL. - UL.	
Standard propeller type	3-bladed with built-in spring drive		
Weight basic version (kg)	260		

Some models may not be available in all countries, or they may have different, non-standard horse powers. Depending on the different national legislative requirements. (For further details see the current price list).

The data contained in this table are to be considered as approximate and **Selva Marine** reserves the right to modify the technical characteristics, materials, the right to modify the technical characteristics, materials, construction, weights, etc. without any forewarning or obligations.

COUNTER ROTATING PAIR

NEW



Sei Whale E.F.I. **2x200**

COUNTER ROTATING PAIR



Beaked Whale E.F.I.
Right Whale E.F.I. **2x225/250**

COUNTER ROTATING PAIR



White Whale E.F.I. **300**

COUNTER ROTATING PAIR

Model	COUNTER ROTATING PAIR SEI WHALE	COUNTER ROTATING PAIR BEAKED WHALE	COUNTER ROTATING PAIR RIGHT WHALE	COUNTER ROTATING PAIR WHITE WHALE
Power (hp)	2 x 200 EFI	2 x 225 EFI	2 x 250EFI	2 x 300 EFI
Power (kW)	2 x 147.1	2 x 165.5	2 x 183.9	2 x 220.7
Max. R.P.M.	5000 / 6000			
Motor type	4-stroke DOHC - 16V at variable timing	4 stroke DOHC - 24V with VTC direct acting		
Swept volume c.c.	2 x 2785	2 x 4169		
Bore x Stroke (mm)	2 x 96 x 96.2	2 x 96 x 96		
N° Cylinders	2 x 4 in-line	2 x 6 a V 60°		
Induction	Electronic Injection			
Choke	Automatic			
Fuel	Petrol (for specifications see the user manual)			
Fuel tank (L)	Not provided			
Lubrication	Forced (oil sump)			
Ignition	T.C.I. / Computer			
Ignition timing	Electronic			
Starting	Electric			
Alternator	Standard 12V/500W with regulator	Standard 2 x 12V/840W with regulator		
Cooling	Water cooled with pump-forced circulation			
Exhaust	Underwater through propeller			
Steering system	Remote control box with electronic control Drive By Wire			
Type of remote control box provided (for the version with remote control box)	Twin lever with electronic binnacle Drive by Wire with safety switch			
Trim adjustment	Power Trim/Tilt			
Gears	Mechanical F-N-R electronic, operating Drive by Wire			
Transmission Ratio	14/26	21/12		
Available shaft versions	XL.			XL. - UL.
Standard propeller type	3-bladed with built-in spring drive, counter rotating pair			
Weight basic version (kg)	2 x 227	2 x 260		

Some models may not be available in all countries, or they may have different, non-standard horse powers. Depending on the different national legislative requirements. (For further details see the current price list).

*The data contained in this table are to be considered as approximate and **Selva Marine** reserves the right to modify the technical characteristics, materials, the right to modify the technical characteristics, materials, construction, weights, etc. without any forewarning or obligations.*



SELVA S.p.A.

Head office and main factory:

Viale dell'Industria, 13 - 23037 Tirano (SO)

Italia

Tel. 0342 702451 - Fax 0342 705361

VAT Number IT 00050830140

Company Registration

SO n. 00050830140 - REA n. 18382

www.selvamarine.com

Q8  **Oils**

